

KEPO

ISO9001 Certificate

SPECIFICATION FOR APPROVAL

CUSTOMER : _____

CUSTOMER MODEL : _____

DESCRIPTION: Dynamic receiver

KEPO MODEL : KPDR-150

DOCUMENT NO. : KP3.841.201

DATE :

CUSTOMER'S APPROVED SIGNATURE		

Ningbo Kepo Electronics Co.,Ltd.

<http://www.chinaacoustic.com>

Approved by	Check by	Issued by

宁波凯普电子有限公司

1

2

3

4

A

1.Scope:

This specification cover dynamic type KPDR-150 receiver unit for telephone use:

2.Outline dimension shall be as shown in Fig.1.

3.Electrical specification:

3-1Efficiency:97.5± 2dB SPL(0dB=2x10⁻⁵Pa)
(at 1000Hz 60mV sine wave)

measurement shall be as shown in Fig.2

3-2 Impedance:150 Ω ± 20%

at 1KHz 60mV sine wave ,V_R=V_L=60mV, "Z_X"=R ,Fig.2

3-3 Frequency response:

The 1000Hz sensitivity requirements must be met and the frequency response shall lie between the movable envelope limits shown in Fig.3.

4.Weight : approx 37.2 grams

5.Load test :shall be normal after test

input power:30mW white noise 24 hours

6.Humidity test : sensitivity difference shall be within 4dB after

test Temperature: 40 °C

Relative humidity:90 % 96 hours

7.Temperature test :After following test ,the response at 1KHz shall

not deviate more than ± 2dB from the initial value

7-1 High temperature:+65± 3°C duration 96 hours

duration of recovery 6 hours

7-2 Low temperature:-25± 3°C duration 96 hours

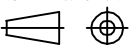
duration of recovery 6 hours

7-3Temperature cycling test:

B

C

D

				KEPO NINGBO KEPO ELECTRONIC CO.,LTD http://www.chinaacoustic.com	
				KPDR-150 Specification	
No.	DESCRIPTION	APPROVED	DATE		
<small>TOLERANCES UNLESS NOTED OTHERWISE .X ± .XX ± .XXX ± 90° FORMED +2° ANGLES -1°</small>		APPROVALS		mm	KP3.841.201
		DRAWN			
<small>FIRST ANGLE PROJECTION</small> 		CHECKED		SCALE	SHEET
		APPROVED		05.03.14	NOT TO SCALE

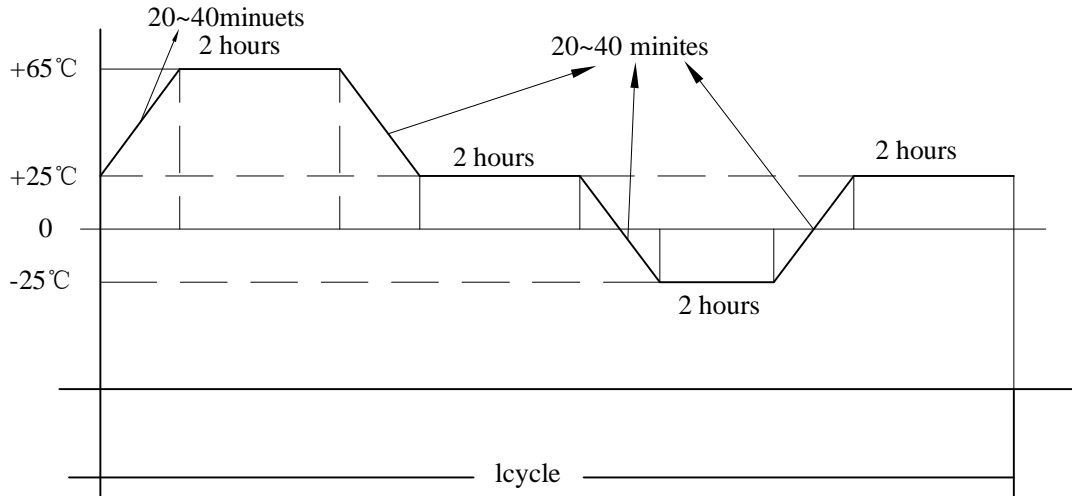
1

2

3

4

a: Temperature cycling diagram



b: Number of cycle 2 cycle
 c: Duration of recover 2 hours

8. Mechanical shock:

The receiver unit when properly mounted in handset or provide equivalent shall be capable withstanding six random drops from a height of 1.5 meters onto the wooden hard board of thickness 5mm with no significant mechanical degradation nor change in the 1KHz response level.

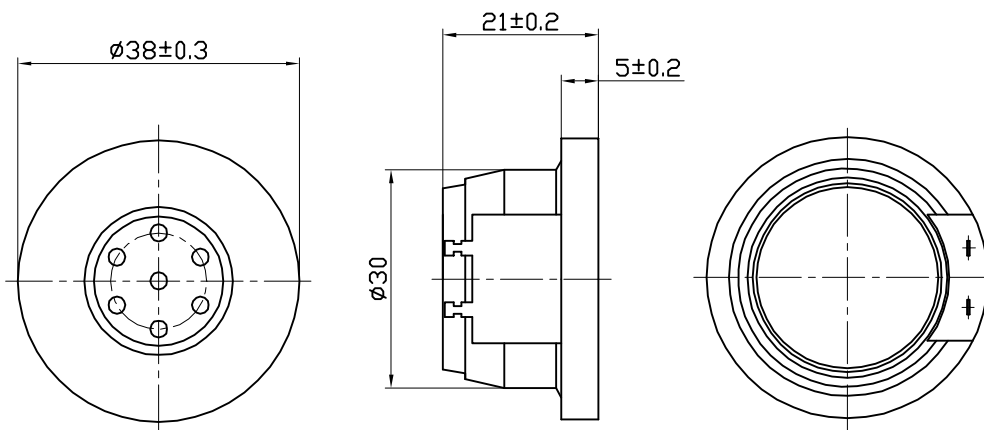


Fig .1

				KEPO NINGBO KEPO ELECTRONIC CO.,LTD http://www.chinaacoustic.com			
				KPDR-150 Specification			
No.	DESCRIPTION	APPROVED	DATE	UNIT		DWG NO.	
TOLERANCES UNLESS NOTED OTHERWISE .X ± .XX ± .XXX ± 90° FORMED +2° ANGLES -1° FIRST ANGLE PROJECTION 		APPROVALS		DATE		mm	
		DRAWN				KP3.841.201	
		CHECKED				SCALE	
		APPROVED		05.03.14		SHEET	
				NOT TO SCALE		VER 1.1	

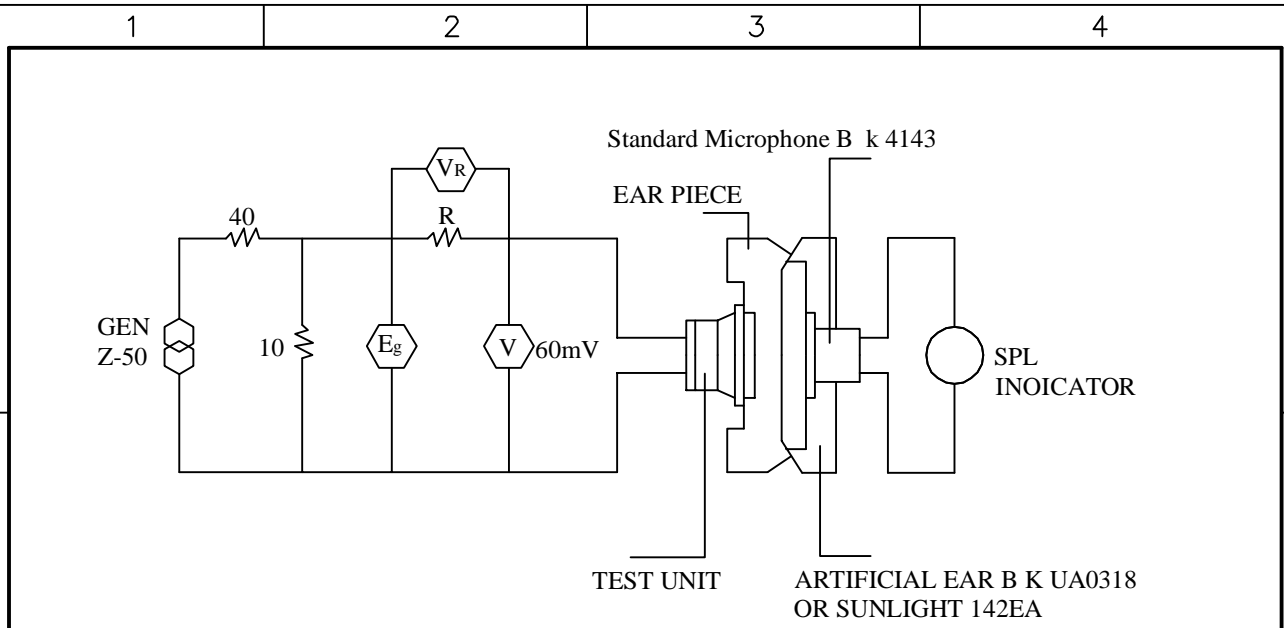


Fig.2

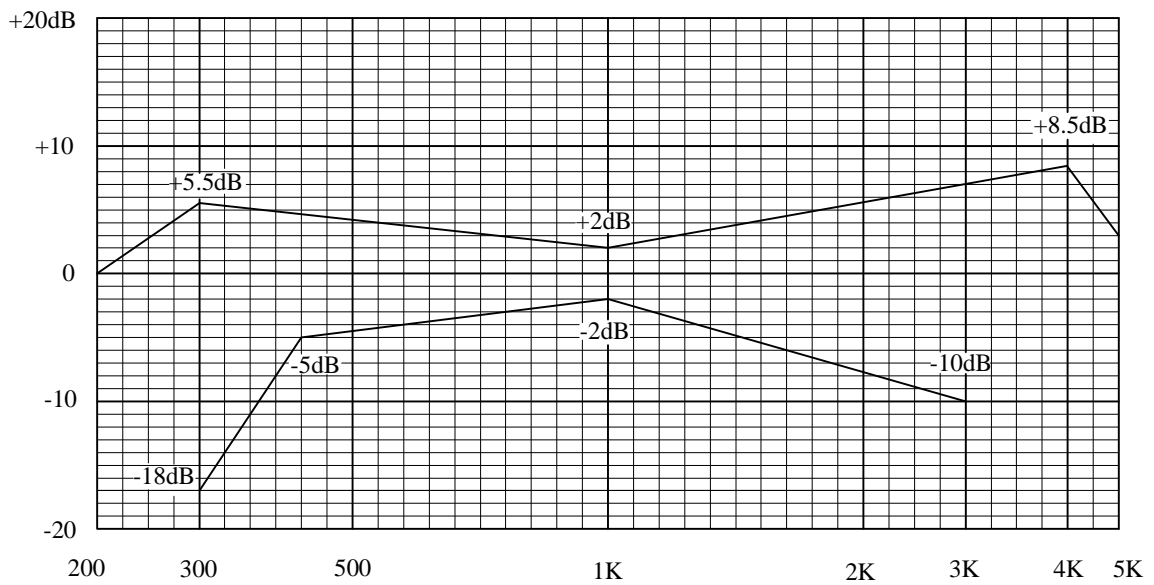


Fig.3

				KEPO NINGBO KEPO ELECTRONIC CO.,LTD http://www.chinaacoustic.com	
				KPDR-150 Specification	
No.	DESCRIPTION	APPROVED	DATE	UNIT	DWG NO.
<small>TOLERANCES UNLESS NOTED OTHERWISE</small> .X ± .XX ± .XXX ± 90° FORMED +2° ANGLES -1° FIRST ANGLE PROJECTION 		APPROVALS		mm	KP3.841.201
		DRAWN			
		CHECKED			
		APPROVED	05.03.14	SCALE	SHEET
				NOT TO SCALE	P3
					VER 1.1